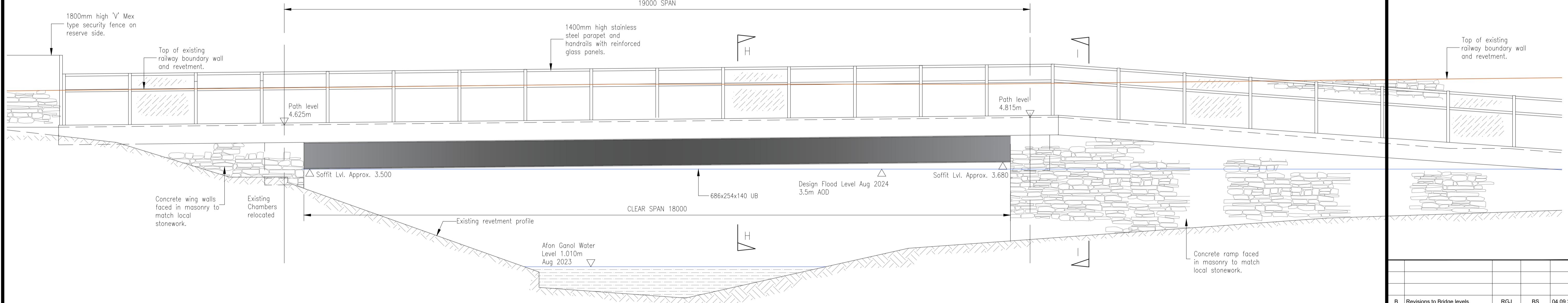
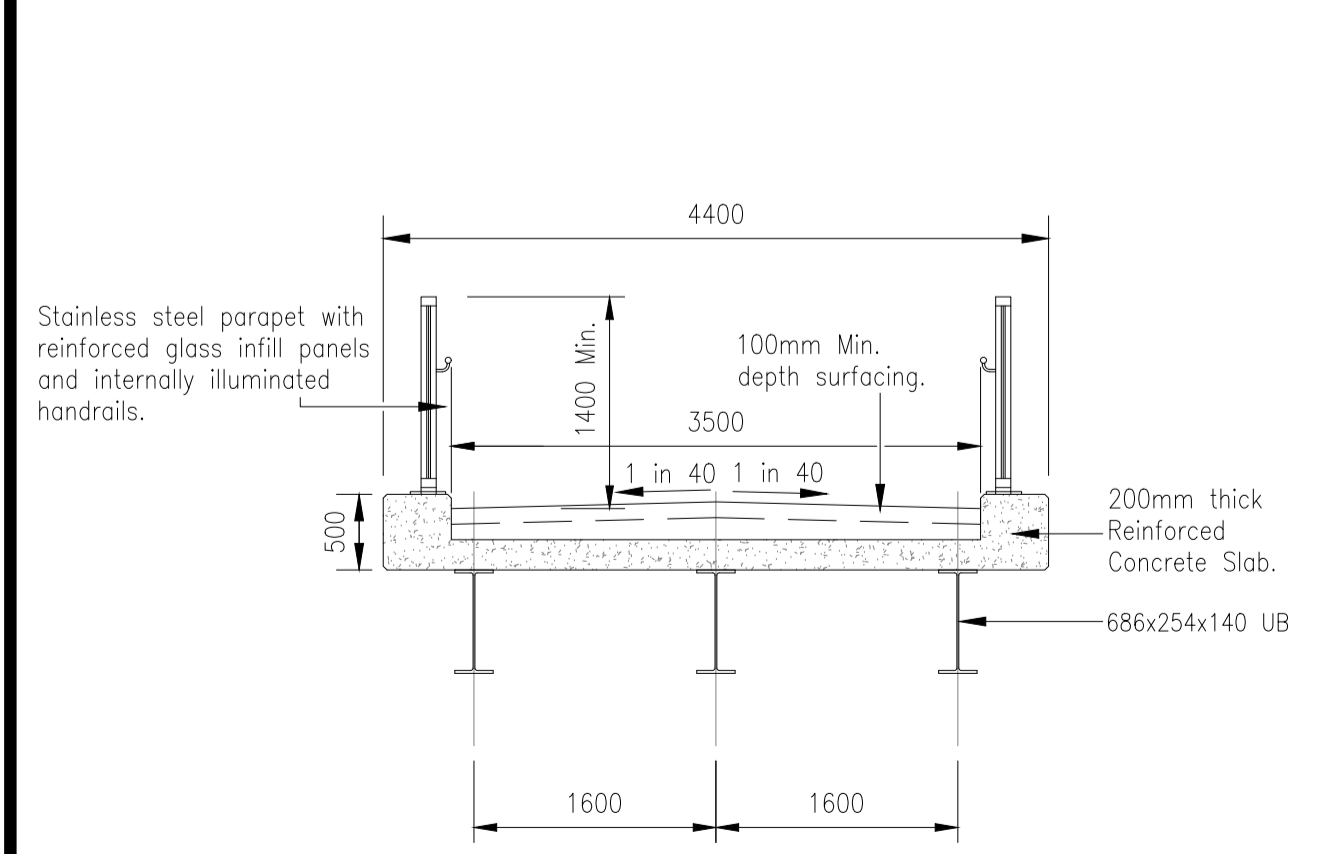


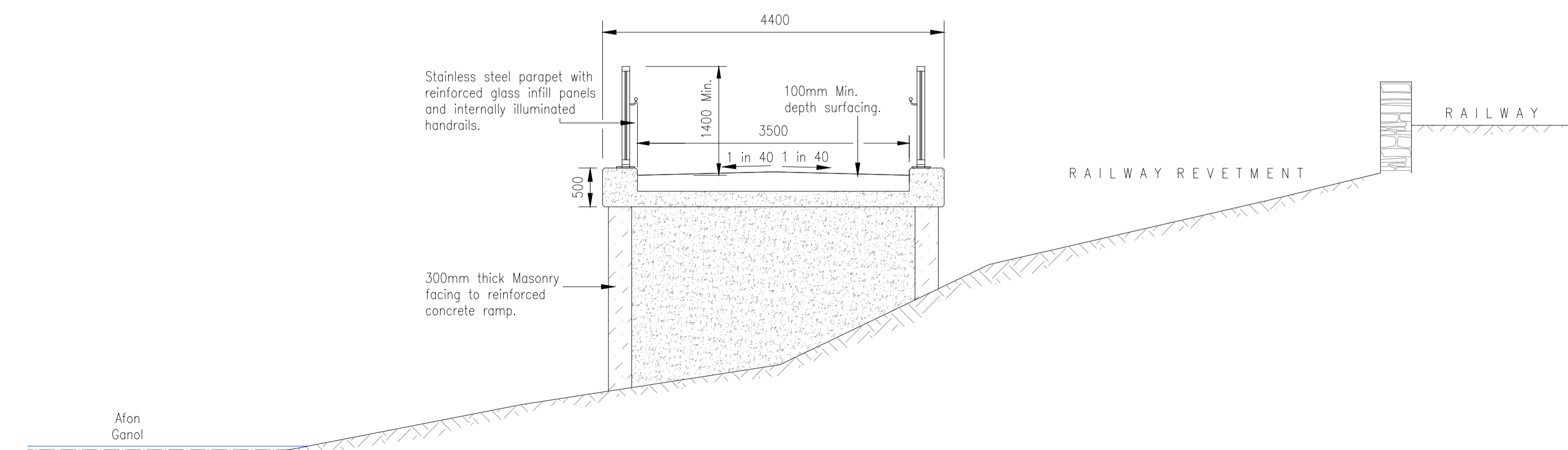
PLAN ON BRIDGE
Scale 1:100
19000 SPAN



WEST ELEVATION A-A
Scale 1:50



SECTION H-H
Scale 1:50



SECTION I-I
Scale 1:50

NOTES
1. ALL DIMENSIONS ARE IN MILLIMETRES UNLESS STATED OTHERWISE.
2. LEVELS ARE RELATIVE TO ORDNANCE SURVEY DATUM.

KEY

B	Revisions to Bridge levels.	RGJ	BS	04.09.2024
A	Planning Consultation	RGJ	BS	09.08.2024
REV	DETAIL	DRAWN	CHECKED	DATE

PROJECT
LUF - GLAN CONWY TO LLANDUDNO JUNCTION

TITLE
AFON GANOL BRIDGE GENERAL ARRANGEMENT

CLIENT
FR & I

SCALE @ A1:	DRAWN: RGJ	CHECKED: -	APPROVED: -	DWG STATUS:
As Shown	DATE: 04.09.2024	DATE: -	DATE: -	ISSUE

CONWY
CONYGOR BYRDEISTREF SIRIOL
COUNTY BOROUGH COUNCIL

ENVIRONMENT, ROADS & FACILITIES
G.B. Edwards BEng (Hons) CEng FICE
Head of Environment Roads & Facilities,
Mochdre Offices, Conwy Road,
Mochdre, LL28 5AB.
Tel. (01492) 575537
Fax. (01492) 575199

PROJECT Ref:	DRAWING No:	REV
ERNS2301N	050	B