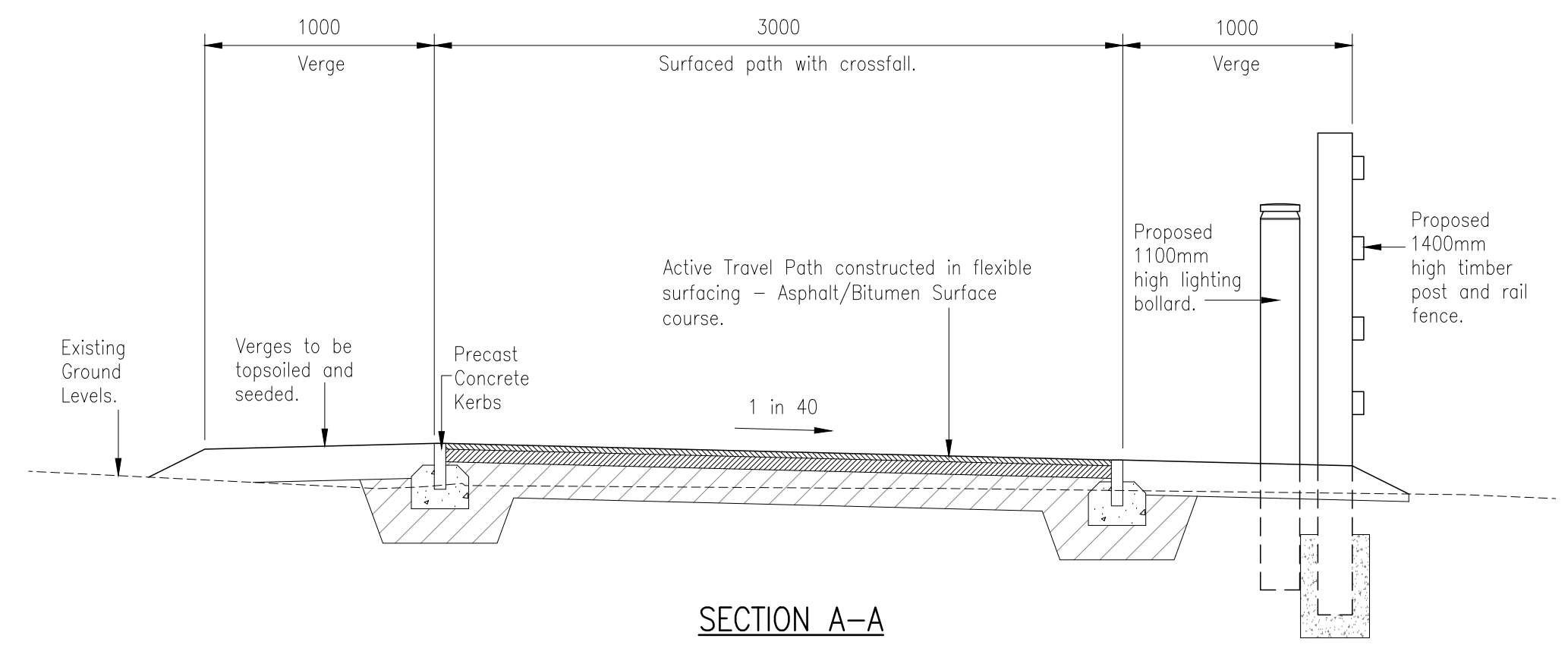
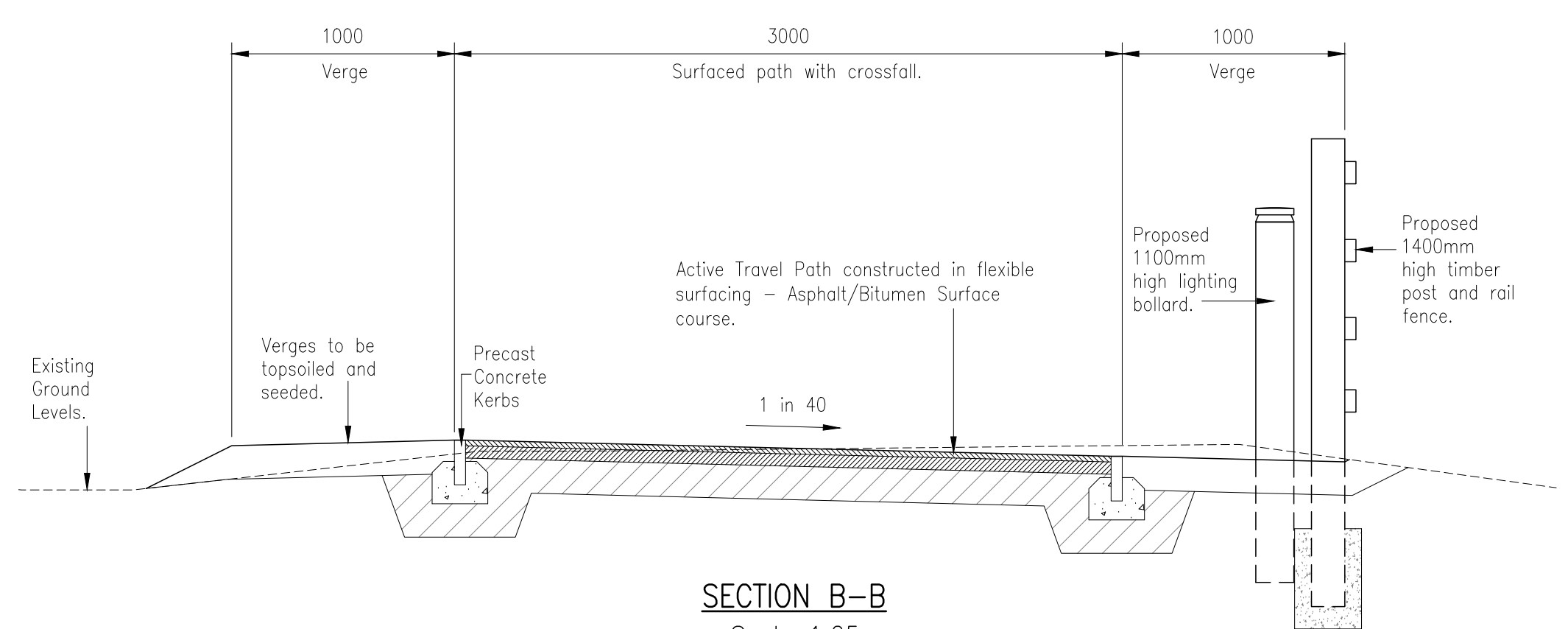


- NOTES**
- All dimensions are in millimetres unless otherwise stated.
  - All chainages are in metres unless otherwise stated.
  - All levels are in metres relative A.O.D.
  - Any anomalies on this drawing should be brought to the attention of Conwy County Borough Council.

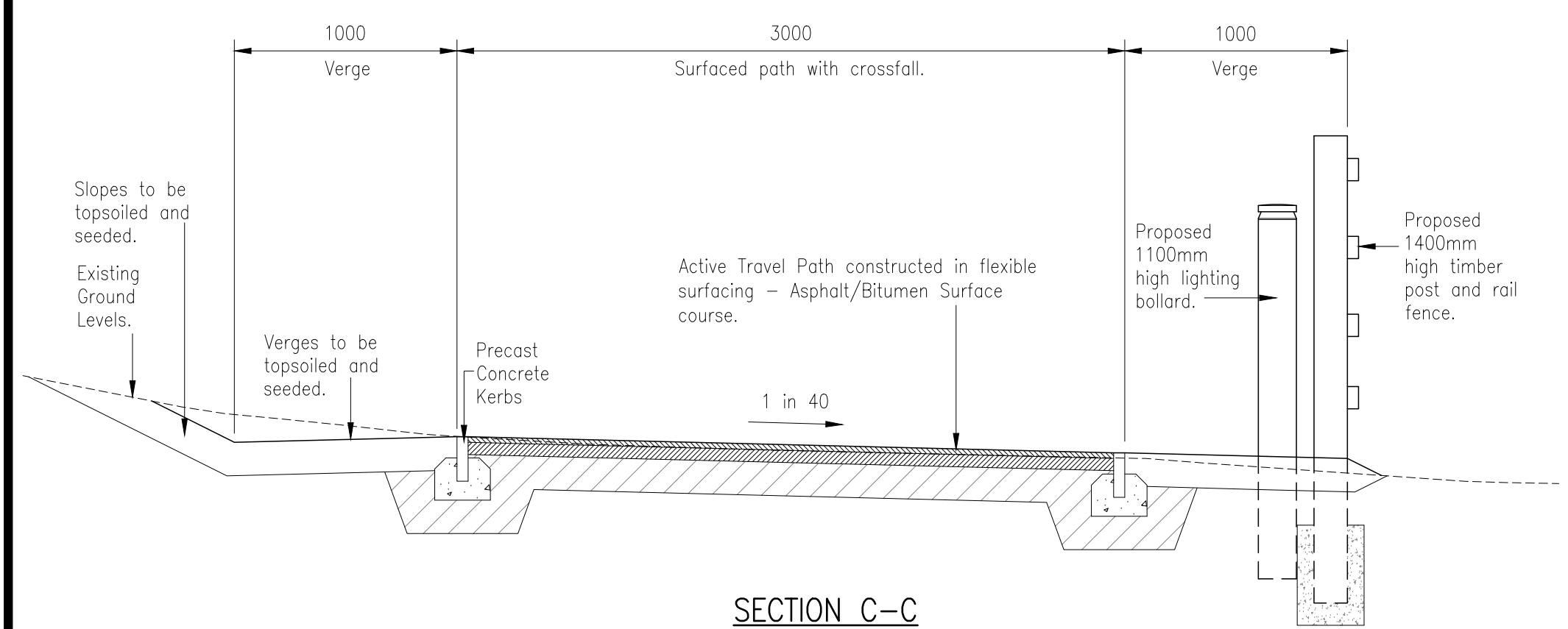
**KEY**



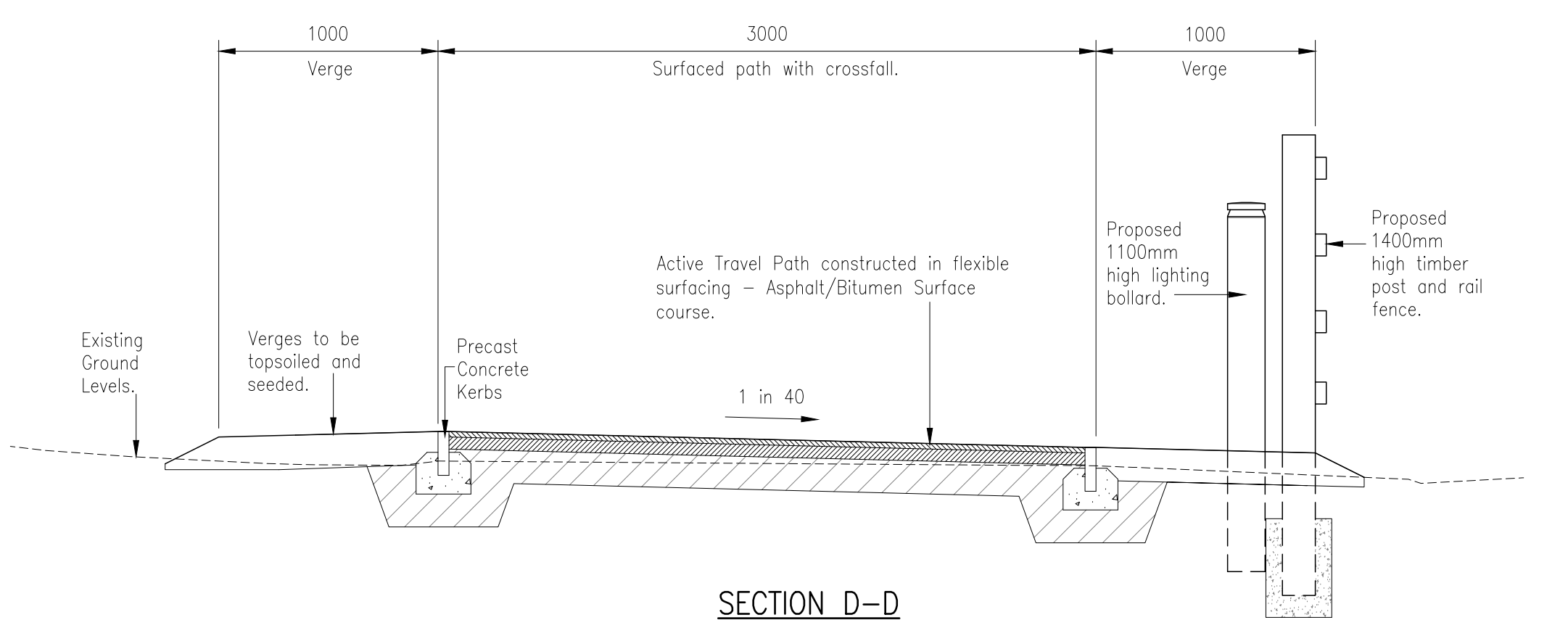
**SECTION A-A**  
Scale 1:25



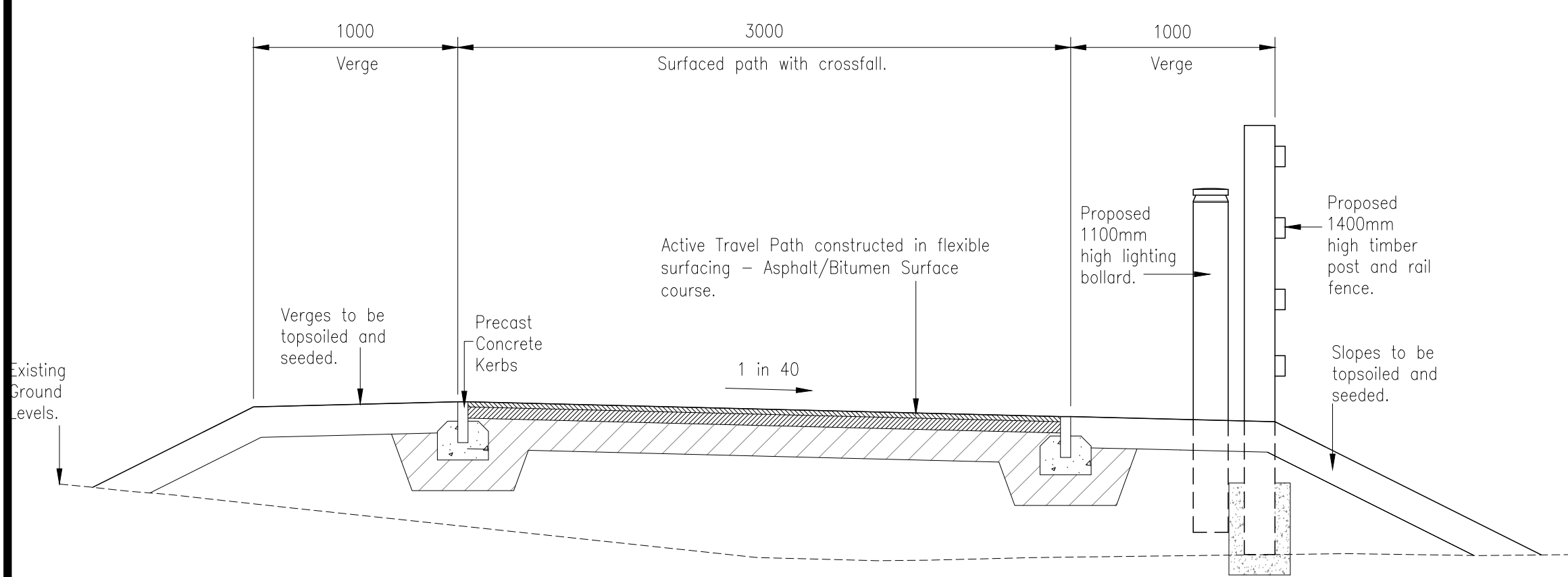
**SECTION B-B**  
Scale 1:25



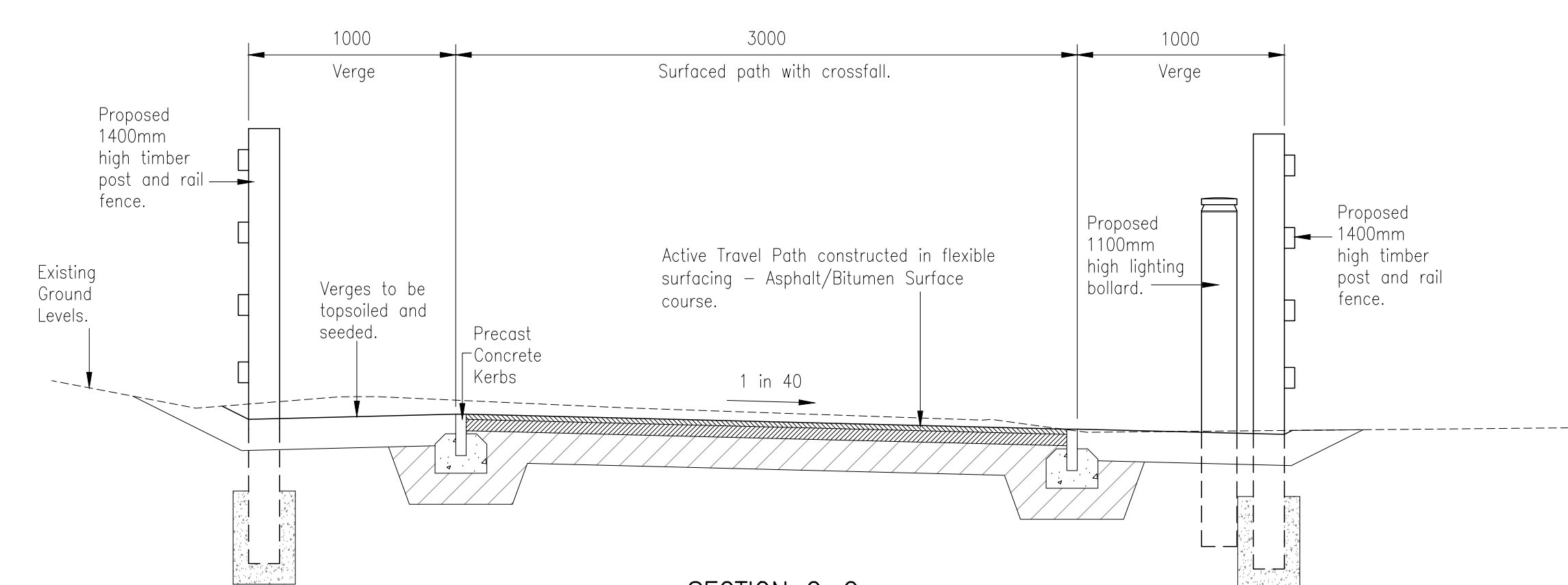
**SECTION C-C**  
Scale 1:25



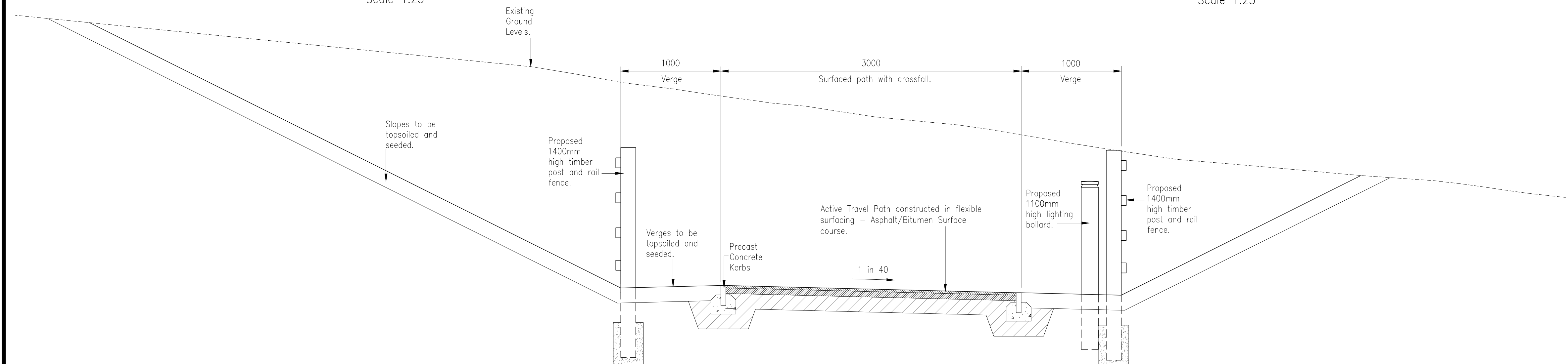
**SECTION D-D**  
Scale 1:25



**SECTION E-E**  
Scale 1:25



**SECTION G-G**  
Scale 1:25



**SECTION F-F**  
Scale 1:25

A	Planning Consultation	RGJ	BS	09.08.2024
REV	DETAIL	DRAWN	CHECKED	DATE

**PROJECT**  
**LUF- Glan Conwy To Llandudno Junction**

**TITLE**  
**PLANNING APPLICATION**  
**Cross-Sections Sheet 1 of 3**

**CLIENT**  
**ERF - Traffic & Network Managment**

SCALE @ A1:	DRAWN:	CHECKED:	APPROVED:	DWG STATUS:
As Shown	RGJ	GRJ		ISSUE
	DATE:	DATE:	DATE:	
	06.08.2024	06.08.2024		

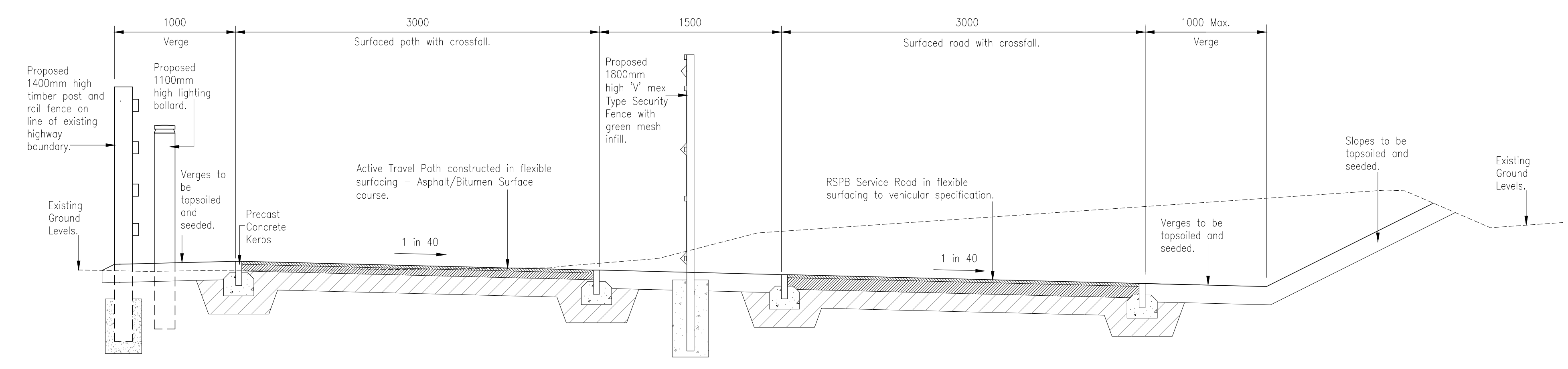
**CONWY**  
CYNGOR BARDDEISTREF SIROL  
COUNTY BOROUGH COUNCIL

**ENVIRONMENT, ROADS & FACILITIES**  
G.B. Edwards BEng (Hons) CEng FICE  
Head of Environment, Roads & Facilities  
Mochdre Offices, Conwy Road,  
Mochdre, LL29 5AB.  
Tel: (01482) 575337  
Fax: (01482) 575199

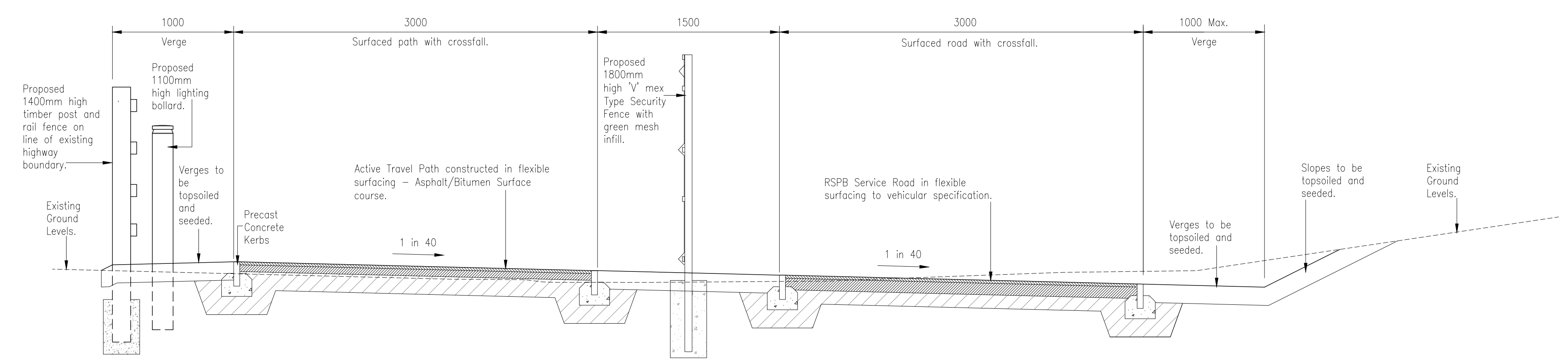
PROJECT Ref:	DRAWING No:	REV
ERNS2301N /	073	A

- NOTES**
- All dimensions are in millimetres unless otherwise stated.
  - All chainages are in metres unless otherwise stated.
  - All levels are in metres relative A.O.D.
  - Any anomalies on this drawing should be brought to the attention of Conwy County Borough Council.

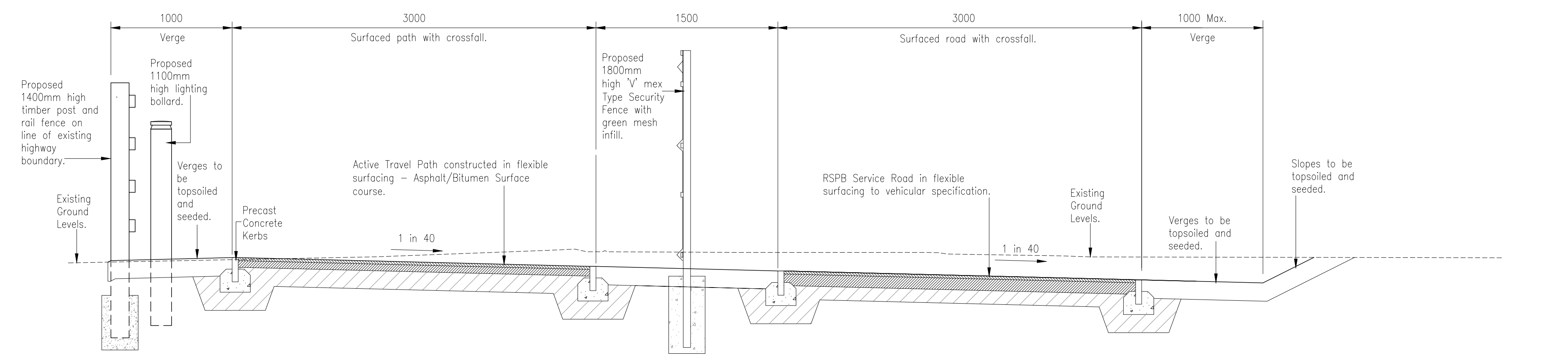
**KEY**



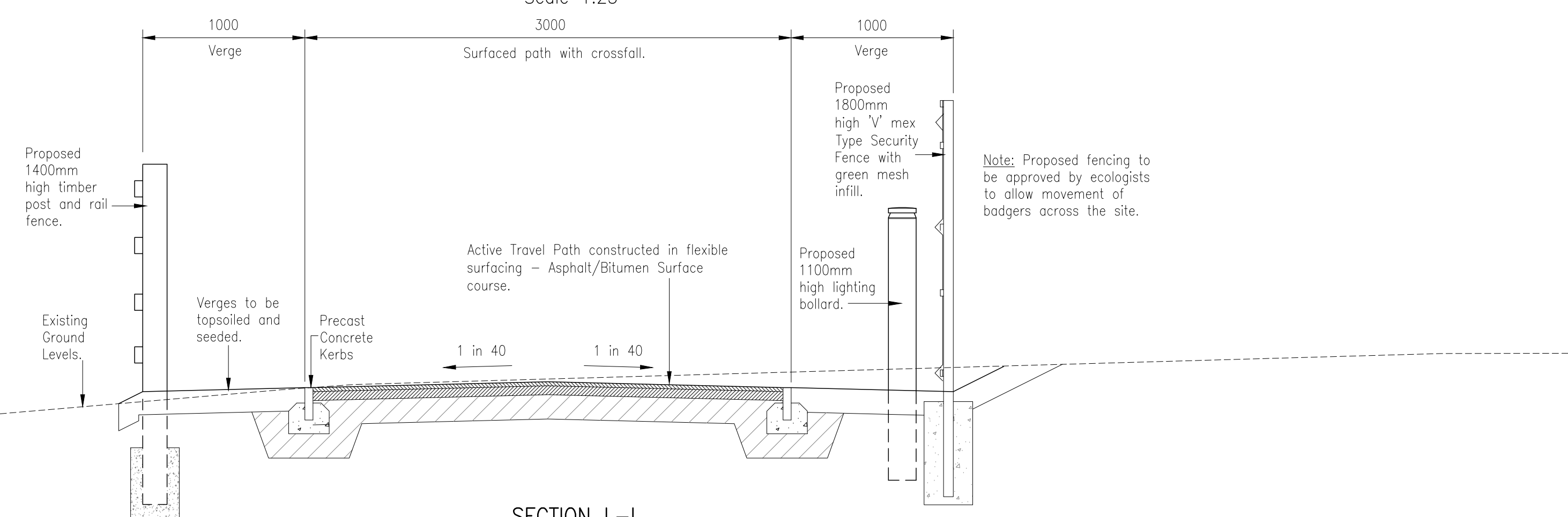
**SECTION H-H**  
Scale 1:25



**SECTION J-J**  
Scale 1:25



**SECTION K-K**  
Scale 1:25



**SECTION L-L**  
Scale 1:25

A	Planning Consultation	RGJ	BS	09.08.2024
REV	DETAIL	DRAWN	CHECKED	DATE

**PROJECT**  
**LUF- Glan Conwy To Llandudno Junction**

**TITLE**  
**PLANNING APPLICATION**  
**Cross-Sections Sheet 2 of 3**

**CLIENT**  
**ERF - Traffic & Network Managment**

SCALE @ A1:	DRAWN:	CHECKED:	APPROVED:	DWG STATUS:
As Shown	RGJ	GRJ		ISSUE
	DATE:	DATE:	DATE:	
	06.08.2024	06.08.2024		

**CONWY**  
CYNGOR BARDDEISTREF SIROL  
COUNTY BOROUGH COUNCIL

**ENVIRONMENT, ROADS & FACILITIES**  
G.B. Edwards BEng (Hons) CEng FICE  
Head of Environment, Roads & Facilities  
Mochdre Offices, Conwy Road,  
Mochdre, LL29 5AB.  
Tel: (01482) 575337  
Fax: (01482) 575199

PROJECT Ref:	DRAWING No:	REV
ERNS2301N	A119	A

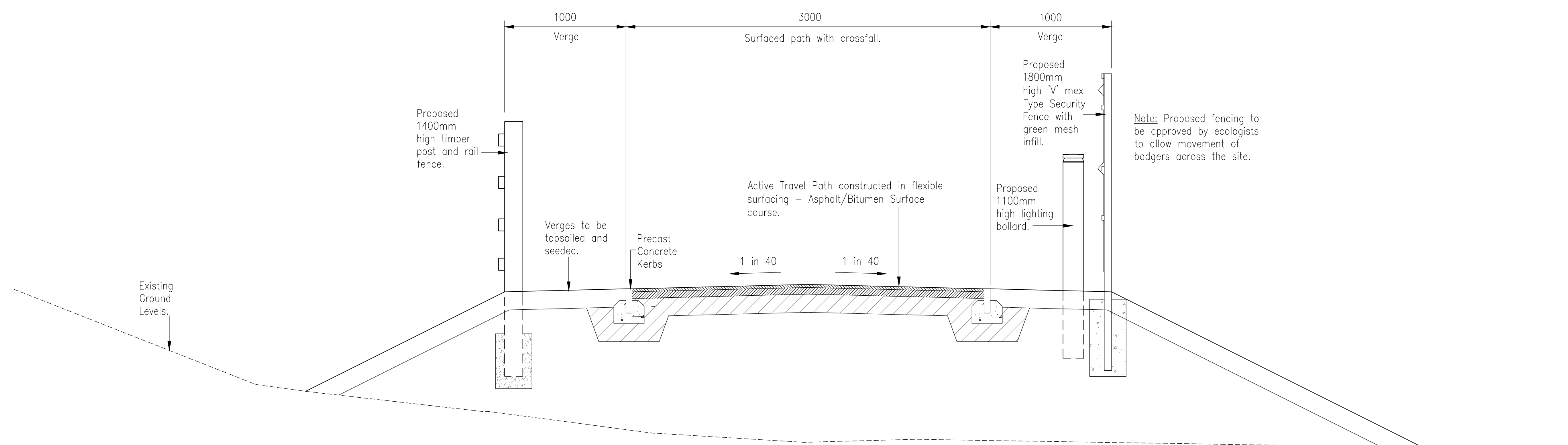


Reproduced from the Ordnance Survey Mapping with the permission of the Controller of H.M.S.O. Crown Copyright, Conwy County Borough Council, 100023380, 2023

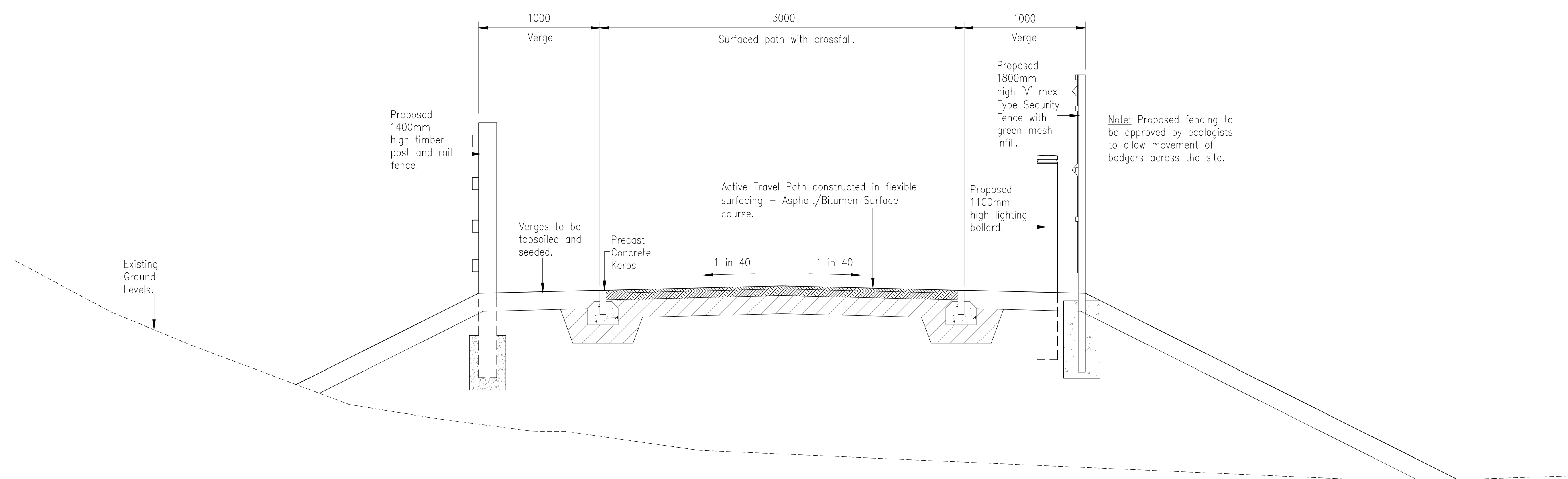
**NOTES**

1. All dimensions are in millimetres unless otherwise stated.
2. All chainages are in metres unless otherwise stated.
3. All levels are in metres relative A.O.D.
4. Any anomalies on this drawing should be brought to the attention of Conwy County Borough Council.

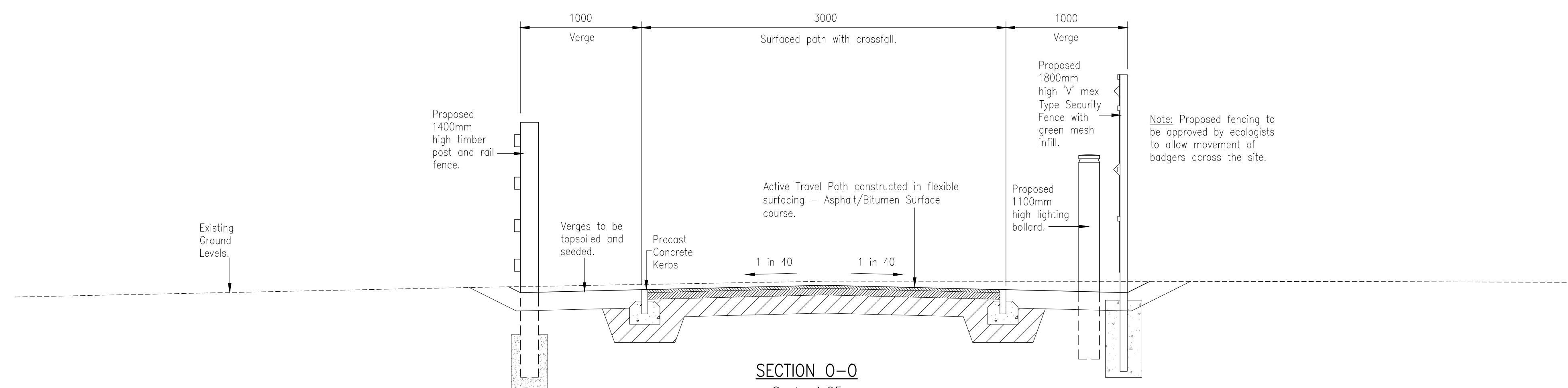
**KEY**



**SECTION M-M**  
Scale 1:25



**SECTION N-N**  
Scale 1:25



**SECTION O-O**  
Scale 1:25

REV	DETAIL	DRAWN	CHECKED	DATE
A	Planning Consultation	RGJ	BS	09.08.2024

PROJECT  
**LUF- Glan Conwy To Llandudno Junction**

TITLE  
**PLANNING APPLICATION  
Cross-Sections Sheet 3 of 3**

CLIENT  
**ERF - Traffic & Network Managment**

SCALE @ A1:	DRAWN:	CHECKED:	APPROVED:	DWG STATUS:
As Shown	RGJ	GRJ		ISSUE
	DATE:	DATE:	DATE:	
	06.08.2024	06.08.2024		

**CONWY**  
CYNGOR BARDDEISTREF SIROL  
COUNTY BOROUGH COUNCIL

**ENVIRONMENT, ROADS & FACILITIES**  
G.B. Edwards BEing (Hons) CEing FICE  
Head of Environment, Roads & Facilities.  
Mochdre Offices, Conway Road,  
Mochdre, LL29 5AB.  
Tel: (01482) 576337  
Fax: (01482) 575199

PROJECT Ref:	DRAWING No:	REV
ERNS2301N /	A119	A